

INSTRUCTION FOR ANGLE-FREE ROTATING & CONTINUOUS OPERATED AIR GREASE GUN

The pistol-style, Continuous Operated Air Grease Gun is a specially designed, high-quality and professional air tool, made of the best materials and ideal for lubricating maintenance for transportation implements, agricultural machinery and industrial equipment etc.

FEATURES

Patent ANGEL-FREE ROTATING Finger Grip design:

- * New-style, unrivaled the globe patent model, depend on the demand of operating in confined space, only rotate with angel-free between Finger Grip and Gun-body for any angle degree adjust what you need, to obtain the maintenance and operation more active and convenience.
- * Divide Gun-head and Finger Grip to be two independent individual, the center connect with die-cast as Housing Body, easy to take apart and clearance.
- * Rotate Finger Grip and Gun-body to set the angle of 90 degree is available, allow using right hand to hold the Finger Grip and left hand hold the Gun-Body to operate maintenance. This kind of convenient design provided operator in a long time operation to ease their arm's tired and heavy burden; to increase the stability of holding owing to operated with both hands, to make the maintenance more active and exact.

Unique style and up-to-date sleek design to lead the field of occupation:

- * Gun-head and Finger Grip is oven painted, appears up-to-date and bright surface.

To be full of creativeness Butterfly-Lock Screw equipped:

- * Fix Gun-body in a selection position at will is conveniently, to make the maintenance more quick and convenience.

Epochal,innovative patent type, continuously operation AIR MOTOR design:

- * Press Trigger tightly and then grease will incessantly and automatically keep priming. Release Trigger pressed then grease supplied to be discontinuous. With regard to the occasion that have to use a large quantity grease will more quick and facility, to the maintenance more quick and labor-saving.

Achievement for constructional improvement designed facility.

Fully automatic, cycles continuous grease flow with trigger depressed.

Exclusive air piston design assures consistent priming.

Heavy-duty spring for prime retention.

Specially ergonomics designed, elegant style high quality and professional pneumatic tool. Ideal for machine, automobiles, farm and garden equipments, recreation vehicles etc.

Heavy duty construction acute-angle featured for reduces the load distance and concentrates the center of gravity between finger grip and container tube, it is portable in operation and arm not subject to be tired, allow wide-angle operation inconfined space and optimal clearance for air supply.

Round plug equipped for grease loading which from grease dispenser or bucket pump.

Rugged grip for convenient of holding and operation.

Fine-treated surface include chrome-plated and oven-painting.

Special designed follower to eliminate grease by-pass.

High pressure performance with 60 to 150 psi pressure air generated from the air compressor supplied into the air inlet. It can deliver 2400 to 6000 psi when trigger pressed. (40:1 pressure ratio)

Recommended working pressure air source: 90 psi (6.2 bar)

3-way loading available:

- Grease cartridge loading
- Dispencer loading
- Bulk loading.

- ◇ Trigger should be pressed thoroughly during operation.
 - ◇ Add oil daily through air fitting before use.
 - ◇ If your gun fails to work, it is due to air packets in the gun. To remove the air, unscrew the gun head 1 or 2 turns and act:
 - * Draw back plunger rod fully and release quickly. Repeat several times. This will help exert force to move the plunger to enter the cartridge and escape air pocket which is essential for a grease gun to work.
 - * Push plunger rod all the way in. Tighten the head to the barrel.
 - * Repeat above steps if necessary.
- Now your grease gun is ready to use.

INSTRUCTION MANUAL

1. Release the BUTTERFLY-LOCK screw properly. (1 or 2 turns)
2. Rotate the FINGER GRIP first, adjust the angle between finger grip and AIR HOUSING to fit the angle degree in which your working circumstance's demand.
3. Retighten the BUTTERFLY-LOCK screw thoroughly to avoid sliding.

INSTRUCTIONS FOR THE 3-WAY LOADING

CARTRIDGE LOADING (See Fig. 1)

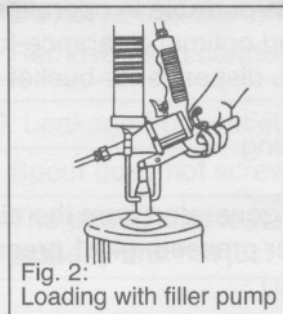
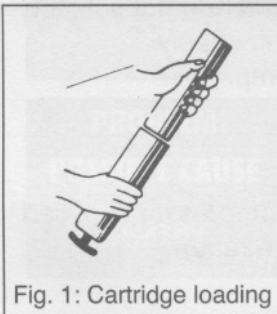
- (a) Remove the gun head from the container tube.
- (b) Draw back the plunger handle entirely.
- (c) Insert open end of cartridge into container tube and push all the way in. Remove the seal or pull tab end from the cartridge.
- (d) Reassemble the gun head to the container tube. Press the catch plate and release the plunger rod. Pull down the plunger handle.

LOADING WITH FILLER PUMP (See Fig. 2)

- (a) Draw back the plunger handle entirely.
- (b) Unscrew the round plug. Insert filler spout from the filler pump.
- (c) Operate the filler pump to fill the container tube.
- (d) Disconnect the grease gun from the filler pump.
- (e) Press the catch plate and release the plunger rod. Pull down the plunger handle.

BULK FILLING (See Fig. 3)

- (a) Remove the gun head from the container tube.
- (b) Draw back the plunger handle entirely. Fill bulk grease into empty container tube.
- (c) Reassemble the gun head to the container tube. Press the catch plate and release the plunger rod. Pull down the plunger handle.

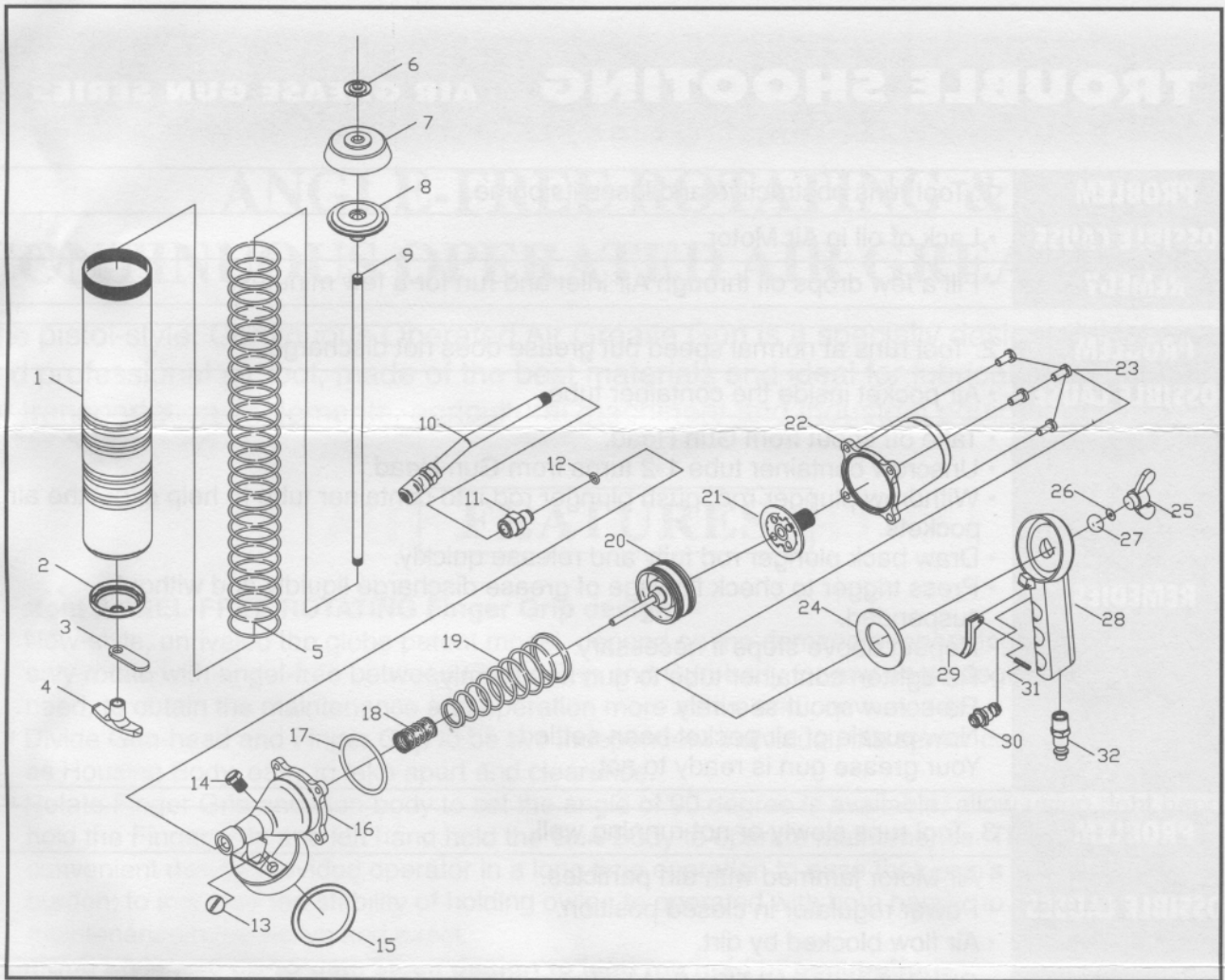


WORLDWIDE PATENTED
Patent No.:

Taiwan 182937
China 456874
USA US6290106B1
EPC EP1278004B1

A508CS 1001-3

SPECIFICATIONS AND DESIGN ARE SUBJECT TO CHANGE WITHOUT NOTICE.



ANGLE-FREE ROTATING & CONTINUOUS OPERATED AIR GREASE GUN

PART NO.	DESCRIPTION	Q'TY	PART NO.	DESCRIPTION	Q'TY
1	CONTAINER TUBE	1	18	Valve Spring	1
2	BOTTOM CAP	1	19	Short Spring	1
3	CATCH PLATE	1	20	Air Piston Unit	1
4	PLUNGER HANDLE	1	21	ROTATING FIXER	1
5	LONG SPRING	1	22	Housing	1
6	PLUNGER WASHER	1	23	Body Screw	4
7	PLUNGER	1	24	GRIP GASKET	1
8	BACKLASH GASKER	1	25	BUTTERFLY LOCK PLUG	1
9	PLUNGER ROD	1	26	FIXER WASHER	1
10	Bend Spout	1	27	FIXER RING	1
11	Adapter	1	28	Finger Grip	1
12	Adapter Ring	1	29	Trigger	1
13	ROUND PLUG	1	30	Switch	1
14	SILENCER	1	31	Pin	1
15	Container Gasket	1	32	Air Fitting	1
16	Housing Cap	1			
17	Housing Ring	1			

TROUBLE SHOOTING

AIR GREASE GUN SERIES

PROBLEM	1. Tool runs obstructive and loses its prime.
POSSIBLE CAUSE	<ul style="list-style-type: none"> • Lack of oil in Air Motor.
REMEDY	<ul style="list-style-type: none"> • Fill a few drops oil through Air inlet and run for a few minutes.
PROBLEM	2. Tool runs at normal speed but grease does not discharge.
POSSIBLE CAUSE	<ul style="list-style-type: none"> • Air pocket inside the container tube.
REMEDIES	<ul style="list-style-type: none"> • Take off spout from Gun Head. • Unscrew container tube 1-2 turns from Gun Head. • Withdraw plunger rod, push plunger rod into container tube to help expel the air pockets. • Draw back plunger rod fully and release quickly. • Press trigger to check flowage of grease discharge liquidly and without suspended. • Repeat above steps if necessary. • Re-tighten container tube to gun head firmly. • Re-screw spout securely. • Now puzzle of air pocket been settled. Your grease gun is ready to act.
PROBLEM	3. Tool runs slowly or not running well.
POSSIBLE CAUSES	<ul style="list-style-type: none"> • Air Motor jammed with dirt particles. • Power regulator in closed position. • Air flow blocked by dirt.
REMEDIES	<ul style="list-style-type: none"> • Check the air inlet filter for blockage. • Pour air tool lubricant into air inlet as per instructions. • Operate tool in short bursts quickly reversing, rotate back and forth where applicable. • Repeat above as needed.
PROBLEM	4. Plunger does not enter the grease cartridge.
POSSIBLE CAUSES	<ul style="list-style-type: none"> • Size of cartridge dose not standardization. • The end edge of cartridge is rough or irregular.
REMEDIES	<ul style="list-style-type: none"> • Check the size of cartridge be correspond with specification. • Grease the surface of plunger and cartridge end to help it easy to enter cartridge. • Always use standard size of cartridge. • Check the end edge of cartridge should not be damaged or folded and remains in exact round sharp. Otherwise the plunger rubber will be prevented from enter the grease cartridge and cause grease cannot be forced out of the cartridge. • Do not re-use the empty grease cartridge. • Remove used cartridge from container tube when bulk loading.
PROBLEM	5. Leakage from outlet of gun head.
POSSIBLE CAUSE	<ul style="list-style-type: none"> • Spout does not screw securely.
REMEDY	<ul style="list-style-type: none"> • The thread size feature in taper design, advantage of leakproof, screw it by tool properly and not just by hand to have well leak proof performance.